

TECHNICAL INFORMATION

Assemble

en

UNIVERSAL CUP DISPENSER (ADJUSTABLE)

Item no.	Description
27800475	black
27020452	grey



Features

- Front fitting
- Takes cups diameter from 3 to 4.2 inch (75 - 106 mm)
- Length adjusts from 15 to 25 inch (381 - 635 mm)

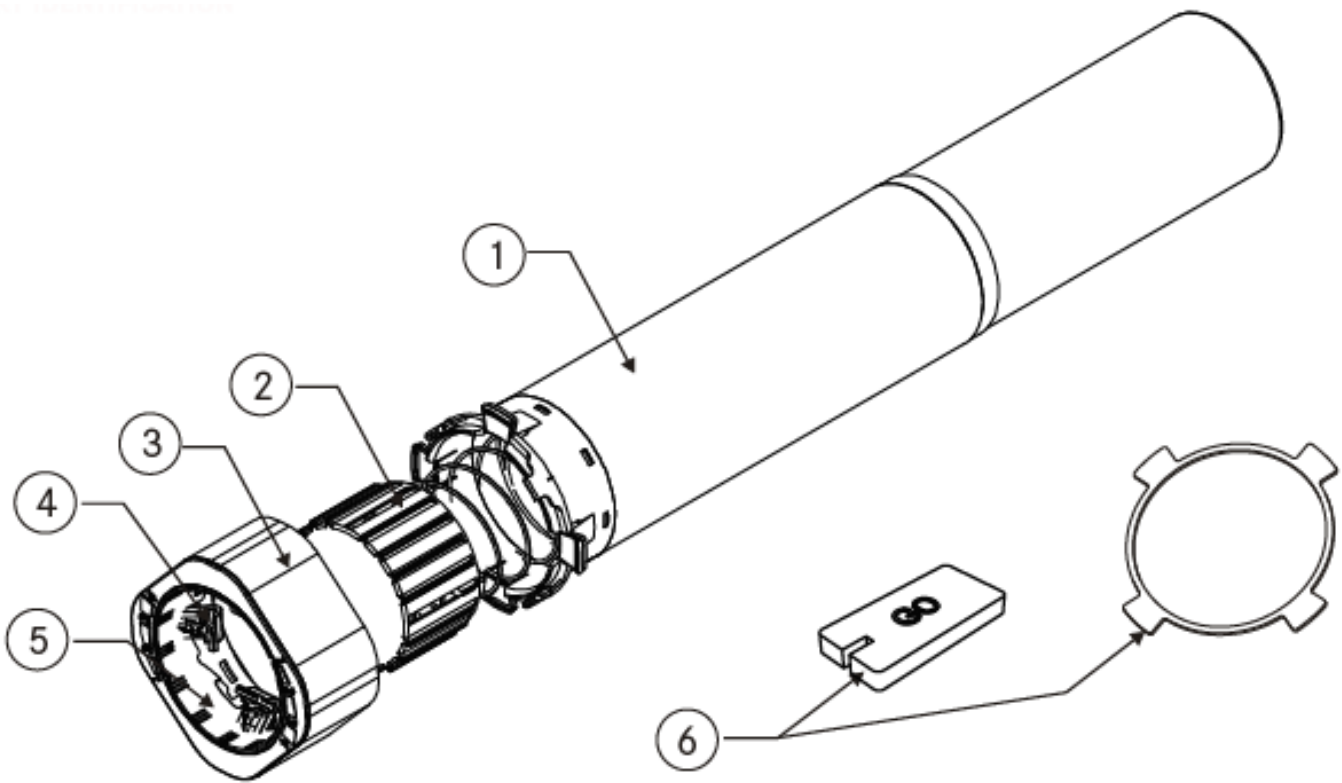
*Make
it
Wonderful*

FRANKE

CONTENT

1	Parts identification	2
2	Installation	3
3	Operation	5
4	Dismantle	5
5	Cleaning	6
6	Accessories (available separately)	7

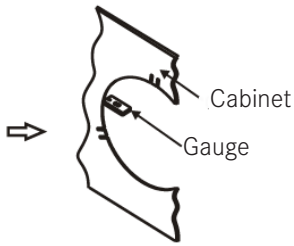
1 PARTS IDENTIFICATION



POS.	ITEM NO.	ITEM NO.	DESIGNATION
1	n/a	n/a	Tupe assy
2	n/a	n/a	Piston assy
3	27800474	27021559	Head assy
4	27021560	27021560	Silicone tab
5	n/a	n/a	Dial ring
6	27028463	27028463	Kit (red gauge & red gasket)

2 INSTALLATION

Installation can be viewed on our Youtube channel: Franke Adjustable Dispenser Installation.

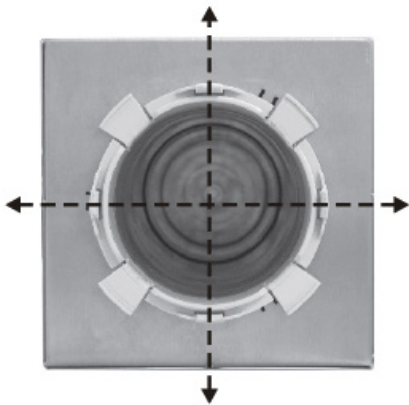


Note:

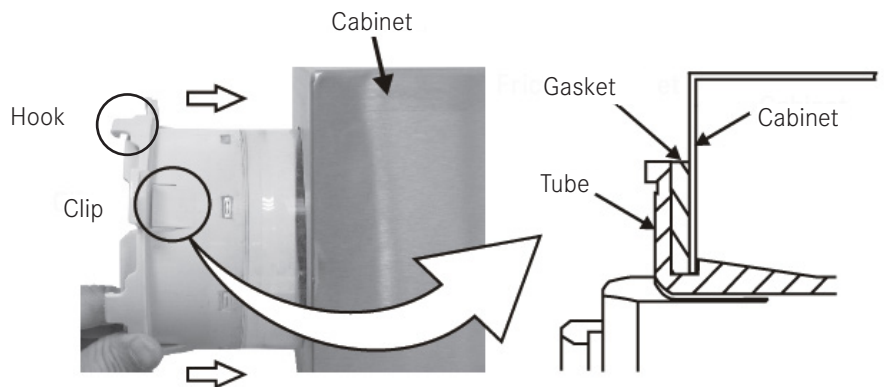
To determine the cabinet thickness, use the gauge provided in plastic bag taped to the end of the tube. If the slot in the gauge can pass over the metal proceed to step 1, otherwise use the red gasket, then proceed to step 1.

(All installation figures apply to black and grey version)

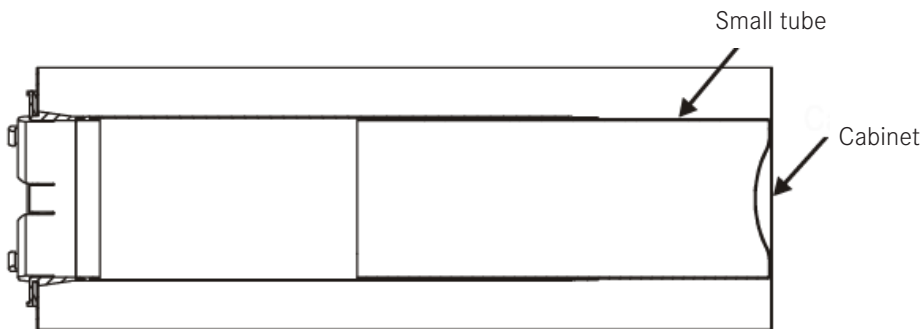
Step 1: Tube Assy Installation



Select one edge to be top and push into place.

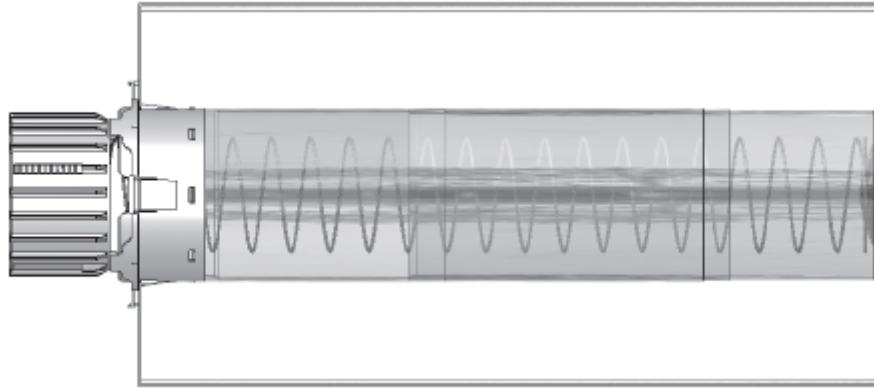


Make sure all 4 clips snap into cabinet (housing surface must be smooth and level without any distortion).



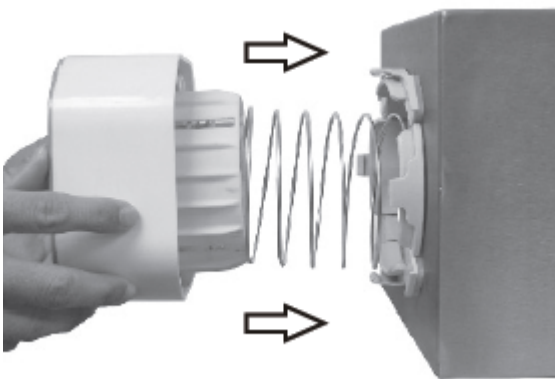
Push small tube backward to touch cabinet back panel.

Schritt 2: Piston Assy Adjusting

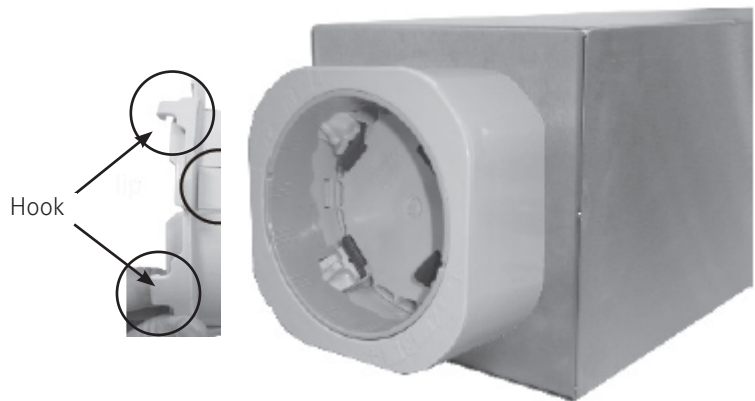


Adjust the spring length by rotating the core, the spring tension is correct when the piston is just out of mouth, as the spring touch to the end.

Step 3: Head Assy Mounting

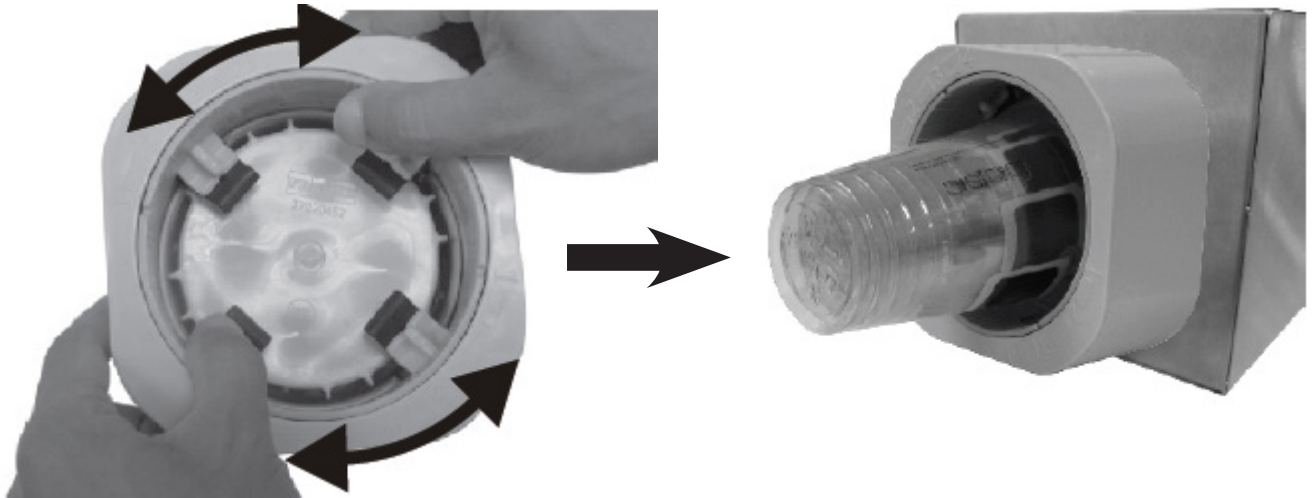


Push piston assy into tube assy.



Place head assy over piston and align with hooks, push head against face until 4 hooks snap.

3 OPERATION



Turn dial ring to select position 1, 2, 3 or 4.

To get the best dispensing performance, select correct position from list on the front of the plastic piston (see fig. below).



Position 1



Position 2



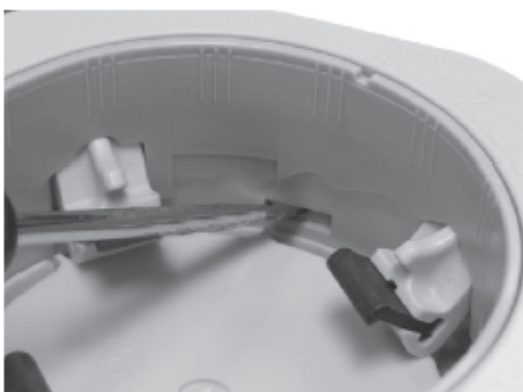
Position 3



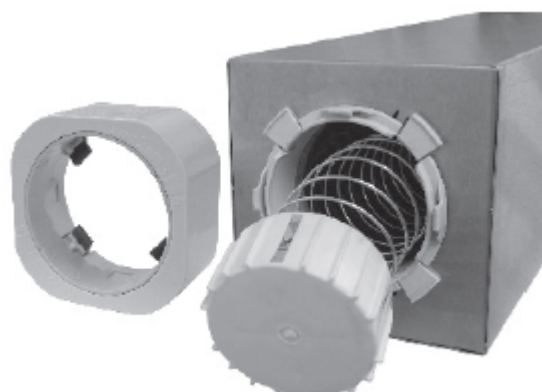
Position 4

4 DISMANTLE

Step 1: Remove Head Assy, Piston Assy

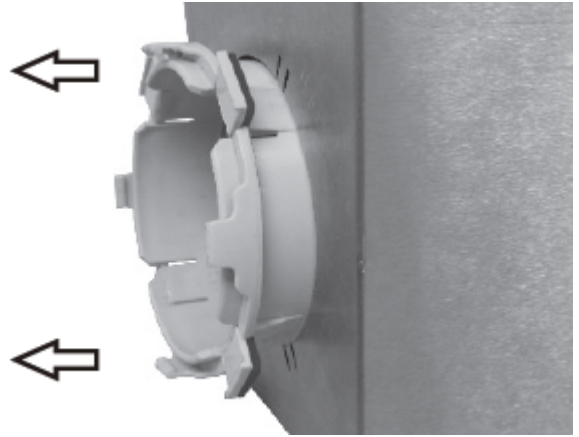
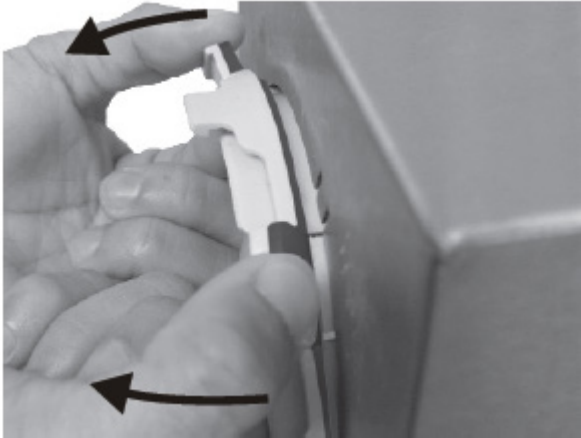


Release 4 hooks: Use flat head screw driver to push hooks into recess.



Remove head assy, remove piston assy.

Step 2: Remove Tube Assy

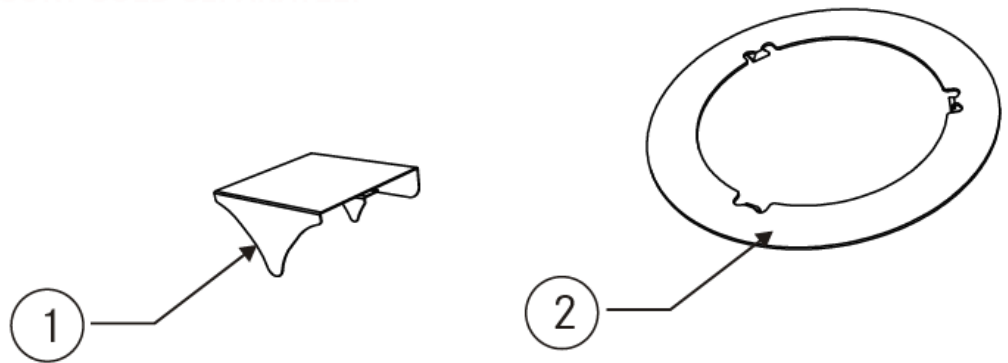


Release 4 clips: Push each clip toward center, then remove the tube assembly.

5 CLEANING

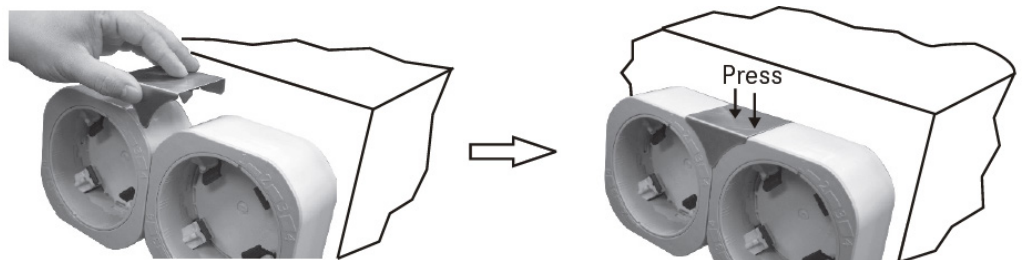
- Wash the components in mild detergent. **ATTENTION: Do not** clean in the dishwasher!

6 ACCESSORIES (AVAILABLE SEPARATELY)



POS.	ITEM NO.	DESIGNATION
1	27025152	Splash guard (3 pcs.)
2	27025153	Converter, Ring for 44 oz. hole

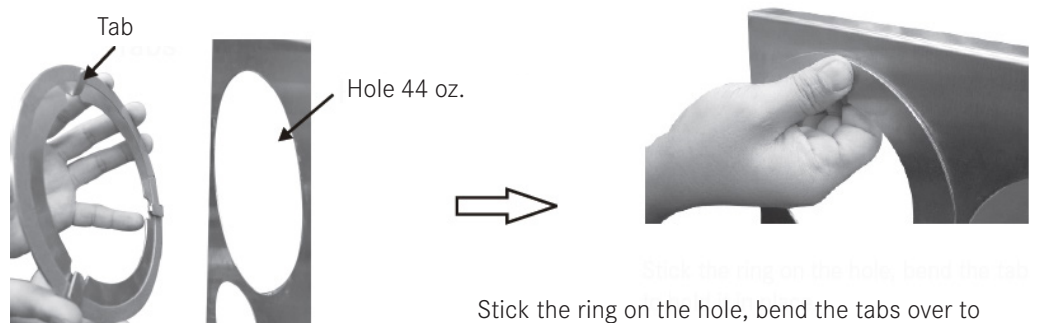
Splash Guard Installation



Align the guard to the gap.

Cover the gap.

Converter Ring Installation



Stick the ring on the hole, bend the tabs over to hold it in place.



Franke Resupply Systems, Inc.
800 Aviation Parkway
Smyrna, TN 37167 USA
Phone: 1 800 423 5247
Fax: 1 877 538 6882
www.frankeparts.com



Franke Foodservice Systems GmbH
Jurastrasse 3
79713 Bad Säckingen
Germany
Phone: +49 7761 5533 0
www.franke.de